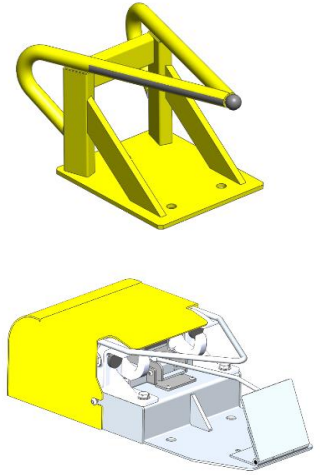


FERNO Two Part Lock range maintenance checks

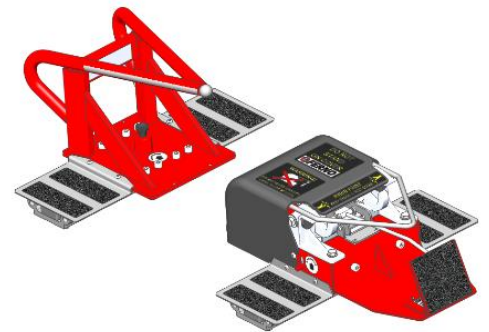
General checks

- Check the head end spike for any signs of damage, excessive wear or cracks in welds
- Ensure all floor fixing bolts are secure and in good condition
- Check the foot end lock cover & guide bar for any damage or excessive wear. (Replace if necessary)
- Check for correct operation of the release pedal. Ensure the pedal remains in the down position with the hooks lowered ready to receive the trolley locking bar
- Check the hook castings for any cracks or signs of damage
- Check the condition of the hook return spring
- Ensure the rectangular slider sits fully underneath the two locking hooks when the lock is in the closed position



FERNO Slide-Lock maintenance checks

- Check the head end spike locking pin assembly for correct operation
- Ensure the spike locks into all positions on the slider rail
- Check the foot end locking pin mechanism for correct operation
- Ensure the foot end locks into all positions on the slider rail
- Ensure the cover plates are secure & slide smoothly with the lock when moving positions



FERNO NMI / UNWIN Track Lock maintenance checks (NMI version shown)

- Check for correct operation of the mechanism on the NMI locking system
- Check for correct operation of the mechanism on the UNWIN locking system
- Check the floor tracking for damage or excessive wear

