

Pedi-Mate® + Model 678


Part # 031-4115CF



Users' Manual

FC Pub No. 00106v2.5



Read this Manual and Retain
for Future Reference 

Ferno Customer Relations

For ordering assistance or general information:

CANADA AND THE U.S.A.

Telephone (Toll-free)	1.877.733.0911
Telephone	1.937.382.1451
Fax (Toll-free)	1.888.388.1349
Fax	1.937.382.1191
Internet	www.ferno.com

ALL OTHER LOCATIONS

For assistance or information, please contact your Ferno distributor. If you do not have a Ferno distributor, please contact Ferno Customer Relations:

Ferno-Washington, Inc., 70 Weil Way
Wilmington, Ohio 45177-9371, U.S.A.

Telephone	Country Code +1.937.382.1451
Fax	Country Code +1.937.382.6569
Internet	www.ferno.com



USERS' MANUALS

To request additional free users' manuals, contact Ferno Customer Relations, your Ferno distributor, or www.ferno.com.

Disclaimer

This manual contains general instructions for the use, operation and care of this product. The instructions are not all-inclusive. Safe and proper use of this product is solely at the discretion of the user. Safety information is included as a service to the user. All other safety measures taken by the user should be within and under consideration of applicable regulations and local protocol. Training on the proper use of this product must be provided before using this product in an actual situation.


Retain this manual for future reference. Include it with the product in the event of transfer to new users. Additional free copies are available upon request from Customer Relations.

Proprietary Notice

The information disclosed in this manual is the property of Ferno-Washington, Inc., Wilmington, Ohio, USA. Ferno-Washington, Inc. reserves all intellectual property rights, proprietary design rights, manufacturing rights, reproduction use rights, and sales use rights thereto, and to any article disclosed therein except to the extent those rights are expressly granted to others or where not applicable to vendor proprietary parts.

Limited Warranty Statement

The products sold by Ferno are covered by a limited warranty, which is printed on all Ferno invoices. The complete terms and conditions of the limited warranty, and the limitations of liability and disclaimers, are also available upon request by calling Ferno at 1.800.733.3766 or 1.937.382.1451.



Ferno-Washington, Inc.
70 Weil Way
Wilmington, Ohio 45177-9371 U.S.A.
1.937.382.1451

Ferno s.r.l.
via B. Zallone, n. 26, 40066
Pieve di Cento, Bologna, Italy
+39.051.6860028



Ferno (UK) Ltd.
Ferno House, Stubs Beck Lane
Cleckheaton, West Yorkshire, BD19 4TZ
+44 (0) 1274 85199




TABLE OF CONTENTS

Section	Page	Section	Page
1 - Safety Information _____	4	5 - Maintenance _____	12
1.1 Warning _____	4	5.1 Maintenance Schedule _____	12
1.2 Important _____	4	5.2 Disinfecting the Pedi-Mate® + _____	12
1.3 Tip _____	4	5.3 Cleaning the Pedi-Mate® + _____	12
1.4 Bloodborne Disease Notice _____	4	5.4 Inspecting the Pedi-Mate® + _____	12
1.5 Safety and Instruction Labels _____	4	Training Record _____	13
1.6 Symbol Glossary _____	4	Maintenance Record _____	14
Ferno Customer Relations _____	2	Maintenance Record _____	15
2 - Operator Focus _____	5		
2.1 Skills _____	5		
2.2 Training _____	5		
3 - About the Pedi-Mate® + _____	6		
3.1 Description _____	6		
3.2 General Specifications _____	7		
3.3 Components _____	7		
4 - Using the Pedi-Mate® + _____	8		
4.1 Before Placing the Pedi-Mate® + in Service _____	8		
4.2 General Guidelines for Use _____	8		
4.3 Positioning the Pedi-Mate® + _____	9		
4.4 Securing the Pedi-Mate® + _____	9		
4.5 Securing the Patient _____	10		
4.6 Releasing the Patient from the Pedi-Mate® + Harness _____	11		
4.7 Storing the Pedi-Mate® + _____	11		

1 - SAFETY INFORMATION

1.1 Warning

Warning notices indicate a potentially hazardous situation which, if not avoided, could result in injury or death.


WARNING

Untrained operators can cause injury or be injured. Permit only trained personnel to operate the Pedi-Mate +™.

Improper use of the Pedi-Mate® + can cause injury. Use the Pedi-Mate® + only for the purpose described in this manual.

Improper application can cause injury. Apply the Pedi-Mate® + only as described in this manual.

An unattended patient can be injured. Stay with the patient at all times.

Secure and snug all straps. Unsecured or loose straps may allow movement and result in injury or death of the patient.

Improper maintenance can cause injury. Maintain the Pedi-Mate® + only as described in this manual.

1.2 Important

Important notices emphasize important usage or maintenance information.

Important

1.3 Tip

Tips provide recommendations for easier use of the product.

Tip

1.4 Bloodborne Disease Notice

To reduce the risk of exposure to bloodborne diseases such as HIV-1 and hepatitis when using the Pedi-Mate® +, follow the disinfecting and cleaning instructions in this manual.

1.5 Safety and Instruction Labels

Safety and instruction labels place important information from the Users' Manual on the Pedi-Mate® +.

Read and follow label instructions. Illustrations showing how to attach the Pedi-Mate® + to the cot are printed directly on the Pedi-Mate® + base. For complete instructions, see "Using the Pedi-Mate® +," on page 8-11.

1.6 Symbol Glossary

The symbols defined below are used on the Pedi-Mate® + and/or in this users' manual. Ferno uses symbols recognized by the International Standards Organization (ISO), American National Standards Institute (ANSI) and the emergency medical services industry.



General Warning of Potential Injury



Read the Users' Manual



Load Capacity
(Safe Working Load in pounds, kilograms, stone)



Operation Requires One Trained Operator

2 - OPERATOR FOCUS

2.1 Operator Training

Operator using the Product:

- must read and understand this manual.
- must have training on proper use of the Pedi-Mate® +.
- must have a training on emergency-medical service and emergency patient-handling procedures.
- must have the physical ability to assist the patient.
- must practice with the Pedi-Mate® + before using it with a patient.
- must keep training records. For a sample training record sheet, see page 13.



WARNING

Untrained operators can cause injury or be injured. Permit only trained personnel to operate the Pedi-Mate® +.

3 - ABOUT THE PEDI-MATE® +

3.1 Description

The Pedi-Mate® + is designed to secure infants and toddlers from 10 to 100 lbs (4.5 to 45.4 kg) on a Ferno cot.

USE

The Pedi-Mate® + is designed for use only in an emergency setting and only by suitably trained personnel. Where child restraint is needed outside of this setting, the transport vehicle should be fitted with restraints in accordance with applicable local standards and regulations, including but not limited to, the United States Federal Motor Vehicle Safety Standards and Regulations.

The Pedi-Mate® + is for professional use by one or more trained operators.

The Pedi-Mate® + is not designed as an immobilization device and should not be used to immobilize the patient, or as part of an immobilization system.

FEATURES

The Pedi-Mate® + blanket is soft, lightweight vinyl. One-piece webbing straps with quick-release buckles attach it to Ferno cot frames at three points.

The five-point patient harness consists of two continuous-loop shoulder/torso straps and a crotch strap. All secure in a central, fast-release buckle and all are fully adjustable.

COMPATIBLE COTS

The Pedi-Mate® + is designed for use with all Ferno cot models with the exception of Model 28 and 2033 chair cots. Additional accessory required for the iNjX™ Integrated Patient Transport & Loading System™.



WARNING

Improper use of the Pedi-Mate® + can cause injury. Use the Pedi-Mate® + only for the purpose described in this manual.



Load Capacity

Inspect the Pedi-Mate® + if the load capacity has been exceeded. See "Inspecting the Pedi-Mate® +", on page 12.

3.2 General Specifications

Most general specifications are rounded to the nearest whole number. Metric conversions are calculated before rounding the Imperial measurements.

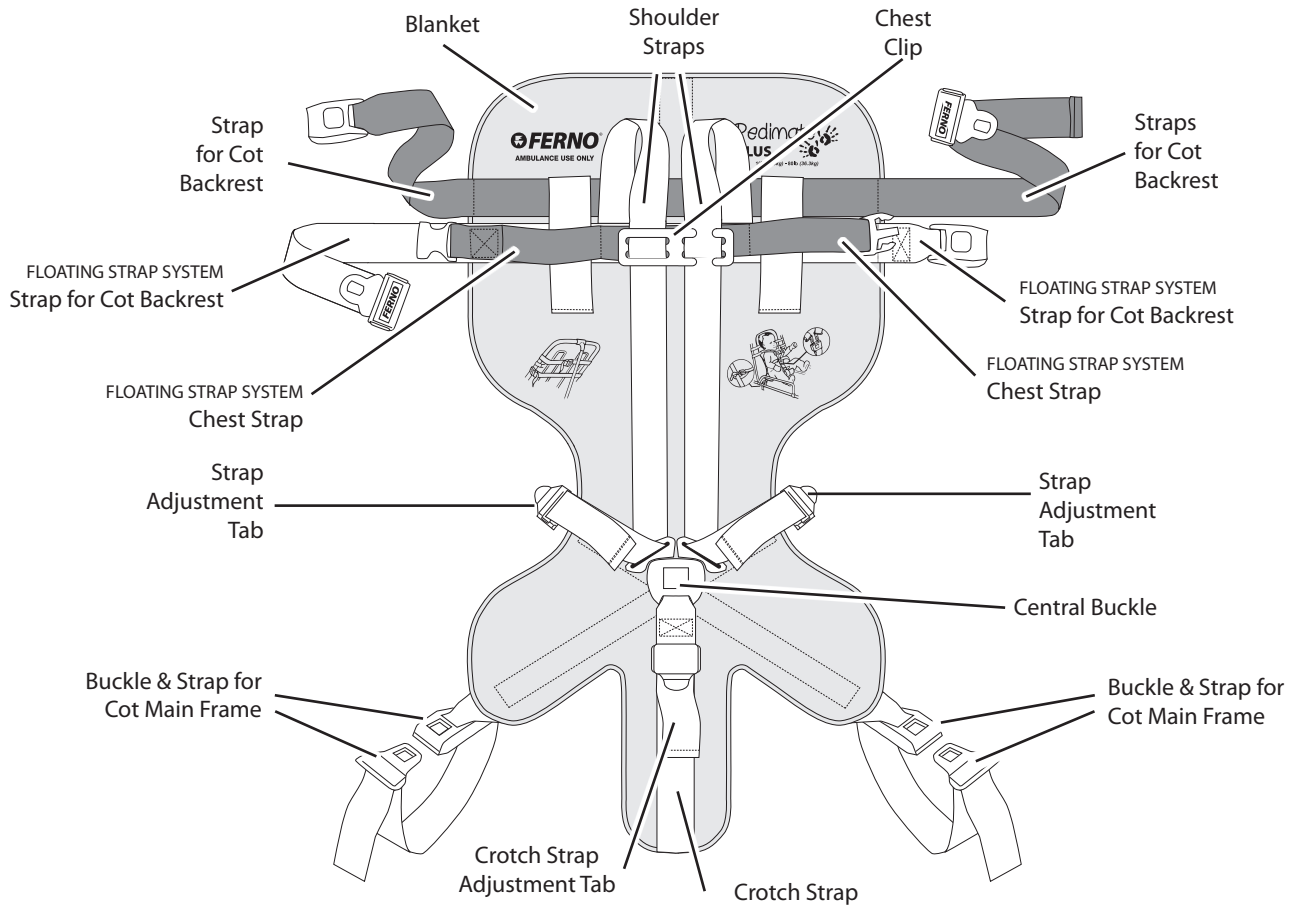
For more information about the Pedi-Mate® + contact Ferno Customer Relations (page 2) or your Ferno distributor.

Ferno reserves the right to change specifications without notice.

Dimensions	Imperial	Metric
Open, Flat		
Width	19 in	48.3 cm
Length	35.5 in	90.2 cm
Rolled		
Diameter	4-1/2 in	114 mm
Length	19 in	483 mm

Specifications	Imperial	Metric
Load Capacity	10 - 100 lb	4.5 - 45.4 kg
Load Capacity (UK)	-	.71 - 15.7 st
Weight	3.5 lb	1.6 kg
Webbing Rating	3500 lb	1.6 mt

3.3 Components



Not Shown

Hook-and-loop storage straps on reverse surface of Pedi-Mate® + are not visible in this view.

4 - USING THE PEDI-MATE® +

4.1 Before Placing the Pedi-Mate® + in Service

- Personnel who will work with the Pedi-Mate® + need to read this manual and practice using the Pedi-Mate® +.
- Confirm that the Pedi-Mate® + operates properly. Follow instructions in "Inspecting the Pedi-Mate® +" on page 12.

4.2 General Guidelines for Use

- Medical advice is beyond the parameters of this manual.
- It is the Pedi-Mate® + users' responsibility to ensure safe practices for the patient and themselves.
- It is the responsibility of the qualified Emergency Medical Service personnel to assess the patient's condition and determine the proper equipment and procedures to use.
- Follow standard emergency patient-handling procedures when using the Pedi-Mate® +.
- Stay with the patient at all times.
- Always use the patient harness.
- Use the Pedi-Mate® + only when all elements are in good working order.
- Use the Pedi-Mate® + only with the approved cot models listed on page 6.
- Never use the Pedi-Mate® + in a captain's chair or front seat of an ambulance.
- Never use the Pedi-Mate® + as an immobilization device or as part of an immobilization system.
- If the Pedi-Mate® + is in use at the time of a vehicular accident, remove the Pedi-Mate® + from service and replace it.



WARNING

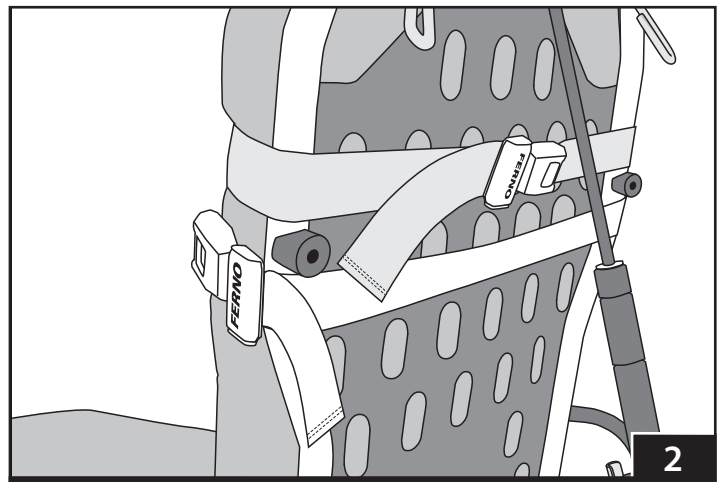
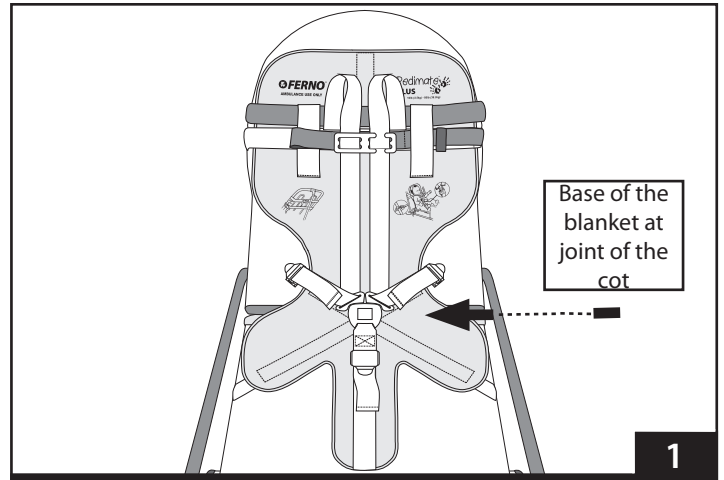
Improper application can cause injury. Apply the Pedi-Mate® + only as described in this manual.

An unattended patient can be injured. Stay with the patient at all times.

Secure and snug all straps. Unsecured or loose straps may allow movement and result in injury or death of the patient.

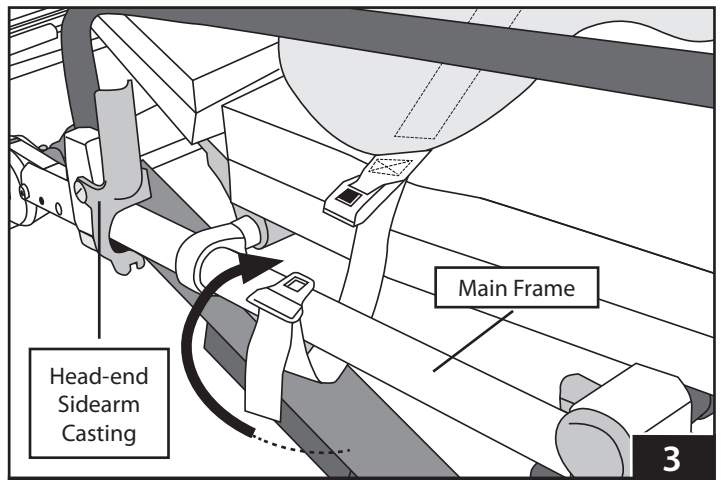
4.3 Positioning the Pedi-Mate® +

1. Remove any restraints attached to the cot.
2. Raise the cot backrest and lock in place at an angle between 15 and 45 degrees. This will keep the patient's shoulders higher than the pelvis and maintain the proper center of gravity.
3. Unroll the Pedi-Mate® + and spread it flat on the cot mattress with all straps extended.
4. Center the blanket left to right on the mattress.
5. Position the blanket so that the base of the blanket, where patient will be seated, is at the joint of the cot (Figure 1). The black backrest strap will be in the area where you expect the patient's shoulders to rest.
6. Run the ends of the backrest strap around the cot backrest until they meet in the back, then fasten the buckle. Leave some slack in the strap for final adjustment.
7. Position the grey and black floating strap system at the point where the patient's chest is expected to rest.
8. Run the ends of the grey and black floating strap system around the cot backrest until they meet on the side, then fasten the buckle (Figure 2). Leave some slack in the strap for final adjustment.



4.4 Securing the Pedi-Mate® +

1. Place the patient on the Pedi-Mate® +. If the black backrest strap is not at the patient's shoulder level, adjust the blanket position.
2. With the blanket properly positioned, tighten the backrest strap by pulling very firmly on the free end of the strap until the mattress is compressed.
3. Fasten a main frame strap by threading the tang end downward between the cot main frame and the mattress next to the head-end sidearm casting.
4. Wrap the strap around the cot main frame and fasten the buckle (Figure 3). Leave a little slack in the strap for final adjustment.
5. Repeat with the other main-frame strap.
6. Tighten each main frame strap by holding onto the buckle with one hand and pulling firmly on the free end of the strap.



Note: To loosen a main-frame strap, unfasten it, then grasp the tang, and pull outward. Refasten the buckle.

4.5 Securing the Patient

WARNING

Secure and snug all straps. Unsecured or loose straps may allow movement and result in injury or death of the patient.

1. Pull the crotch strap buckle up between the patient's legs and lay the strap on the patient's abdomen.
2. Wrap the black chest strap of the grey and black floating strap system around the patient's chest and fasten under the shoulder straps. Snug the chest strap by pulling the free end, leaving enough slack to permit normal breathing.
3. Lift a shoulder strap over one shoulder of the patient. Place patient's arm through the strap, then lock the buckle half into the central buckle (Figure 4).
4. Repeat with the other shoulder strap.
5. Thread the shoulder strap on the patient's left side through the chest clip (Figure 5) and slide the chest clip up to rest on top of the black chest strap.

WARNING

Do not fasten black strap too tightly over the chest. Must permit normal breathing.

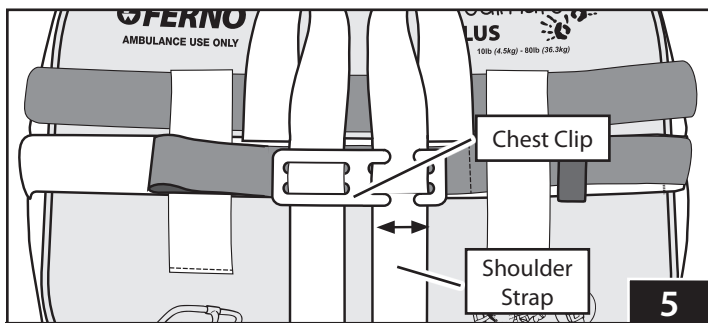
TIGHTENING THE HARNESS STRAPS

To tighten the shoulder/torso straps, refer to Figure 6 and use the following procedure:

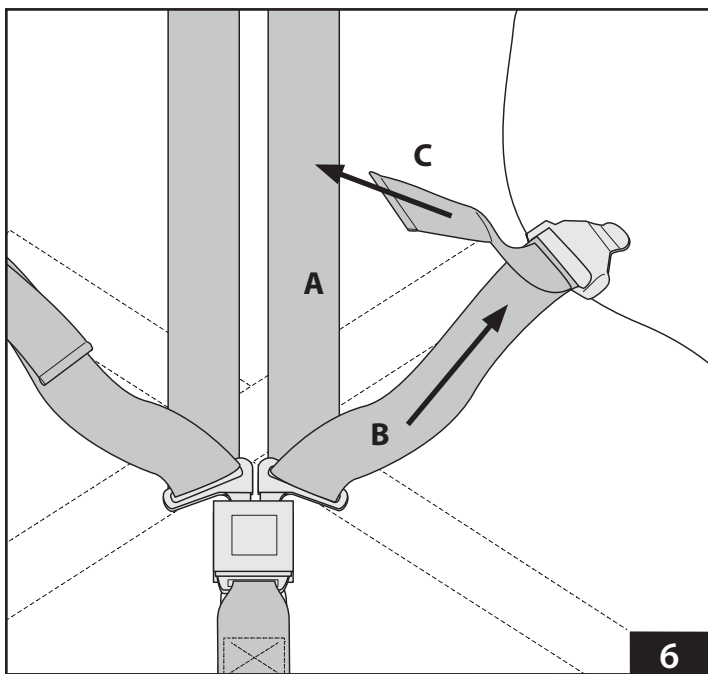
1. Snug the shoulder strap (A) against the shoulder and chest by pulling section B of the strap with one hand while steadying the central buckle with the other hand.
2. Repeat with the other shoulder strap.
3. Snug the torso strap (B) by pulling on section C with one hand while steadying the central buckle with the other hand.
4. Repeat with the other torso strap.
5. Snug the crotch strap by pulling on the free end.



4



5

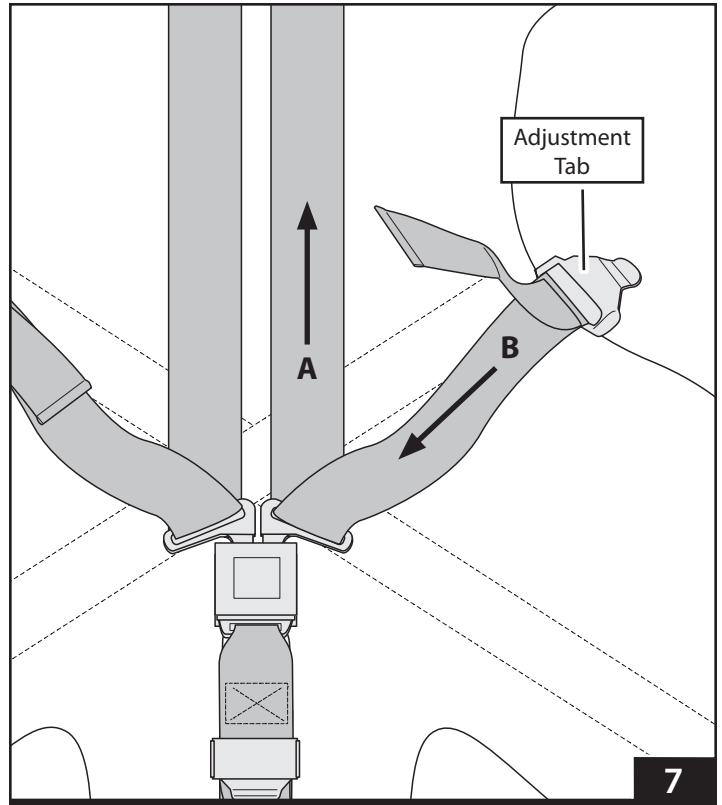


6

LOOSENING THE HARNESS STRAPS

To loosen the straps, refer to Figures 7 and 8 and use the following procedure:

1. Grasp the adjustment tab (Figure 7) with one hand and pull the torso strap (B) back through the tab with your other hand.
2. Steady the central buckle with one hand and loosen the shoulder strap (A) by pulling it upward with the other hand.
3. Repeat with the other shoulder/torso strap.
4. Loosen the crotch strap by grasping the adjustment tab with one hand and pulling downward on the portion of the strap that rests against the body (Figure 8).

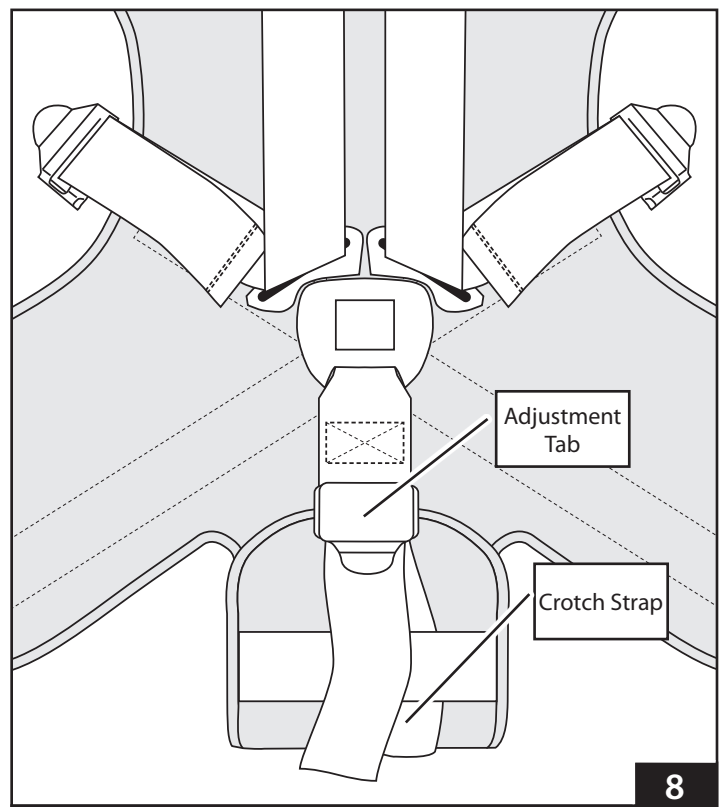


4.6 Releasing the Patient from the Pedi-Mate® + Harness

1. Loosen the crotch strap.
2. Slide the chest clip down toward the central buckle and unthread the shoulder strap on the patient's left side from the clip.
3. Press the red release button in the central buckle and pull the buckle slightly downward to release the shoulder straps from the buckle.
4. Loosen the shoulder straps and slide them away from the patient's body.
5. Loosen and unclip the black floating chest strap.
6. Lift the patient from the Pedi-Mate® + according to local protocols.

4.7 Storing the Pedi-Mate® +

1. Detach the Pedi-Mate® + from the cot and spread it flat on the cot mattress.
2. Attach the shoulder straps to the central buckle and adjust all straps to lay smoothly against the blanket.
3. Fold the backrest straps across the blanket.
4. Fold the crotch panel up toward the center of the blanket.
5. Fold the cot main-frame straps and the lower blanket panels across the center of the Pedi-Mate® +.
6. Beginning at the crotch panel, roll the Pedi-Mate® + upward. Secure the roll with the hook-and-loop straps.



5 - MAINTENANCE

5.1 Maintenance Schedule

The Pedi-Mate® + requires regular maintenance. Set up and follow a maintenance schedule (see maintenance record sheet on page 14). The table at right represents minimum intervals for maintenance.

When using maintenance products, follow the manufacturers' directions and read the manufacturers' material safety data sheets.

5.2 Disinfecting the Pedi-Mate® +

Wipe or spray disinfectant on all Pedi-Mate® + and surfaces and straps. Follow the disinfectant manufacturer's directions for application and contact time.

5.3 Cleaning the Pedi-Mate® +

Hand wash the Pedi-Mate® + blanket and straps with warm, soapy water and a clean cloth or soft brush. Rinse with clear water. Dry the blanket with a towel and allow the straps to air dry.

Do not immerse the buckles in water.

5.4 Inspecting the Pedi-Mate® +

Have your services equipment maintenance personnel inspect the Pedi-Mate® + regularly. Follow the inspection checklist below.

If the inspection shows damage or excessive wear, remove the Pedi-Mate® + from service. Ferno recommends that in addition to scheduled maintenance, operators perform a visual inspection each time the Pedi-Mate® + is used. If damage is noted, remove the Pedi-Mate® + from service immediately and replace it.

INSPECTION CHECKLIST

- Are all components present?
- Is the Pedi-Mate® + free of excessive wear?
- Is all stitching secure?
- Do the central buckle and adjustment tabs operate properly and smoothly?
- Are there cuts or tears in the blanket or straps?

WARNING

Improper maintenance can cause injury. Maintain the Pedi-Mate® + only as described in this manual.

Minimum Maintenance	Each Use	As Needed	Monthly
Disinfecting (this page)	•		
Cleaning (this page)		•	•
Inspecting (this page)		•	•

Important

Disinfectants and cleaners containing bleach, phenolics, or iodines can damage the Pedi-Mate® +. Do not use products containing these chemicals.

Important

If the Pedi-Mate® + is in use at the time of a vehicular accident, remove the Pedi-Mate® + from service and replace it.

U.S.A. NOTICE

The cot is for use with ambulances that meet the requirements of the "Star of Life" certification via Federal Ambulance Specification KKK-A-1822. For information, contact:

Federal Supply Services, Specifications Section
Suite 8100
470 E. L'Enfant Plaza, SW
Washington, DC 204

TRAINING RECORD

Date	Printed Name	Signature	Training Method			Trainer Initials
			Read Manual	Video/ Online	Hands-On	

MAINTENANCE RECORD

Date	Maintenance Performed	By

